

多功能盆底钳

快速拆装水龙头及 进水软管



多功能
应用广
方便舒适
操作省力

【产品用途】

1. 水龙头螺母拆装

六角螺母，多棱螺母



2. 进水软管与阀门连接

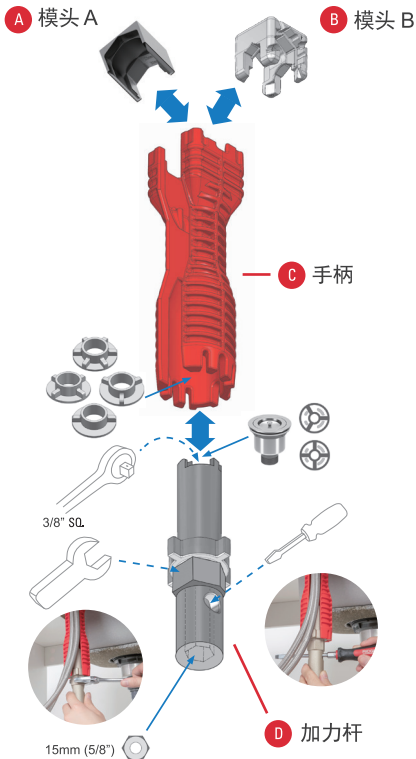
六角螺母



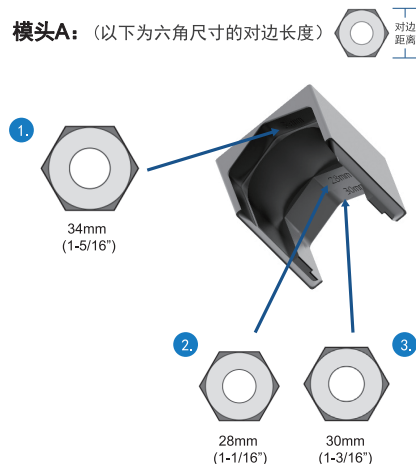
【产品特点】

- 创新的三模块设计，轻松满足台盆/水槽的水龙头进水软管拆装
- 一把工具覆盖国内主流水龙头及软管螺母规格，无需携带多余工具
- 垂直操作，适用于台盆/水槽下狭窄空间
- 开槽设计，可轻松嵌入已安装软管，使用方便
- 人体工程学手柄，握感舒适，出汗不打滑
- 加力杆配合螺丝刀/扳手使用，操作更省力，维修必备，轻松拆卸生锈的水龙头及软管

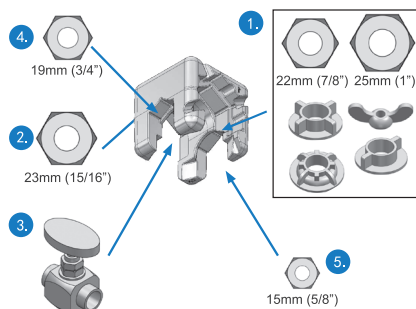
【产品规格】



模头A: (以下为六角尺寸的对边长度)



模头B:



联系方式

艾默生精密工具技术(上海)有限公司

地址: 上海松江工业区江田东路89号

客户服务热线: 400-820-5695

网址: www.RIDGID.cn



关注官方微信，获得以下服务：

- 观看产品视频
- 查阅产品资料
- 查询官方购买渠道
- 联系售后服务



EZ Change Faucet Tool

Quickly Install Faucet and Inlet Hose



Multiple Functions

Wide Sizes Application

Convenient and Comfortable

Labor-Saving

[Product Applications]

1. Faucet Nut Installation

Hex Nut, Mounting Nut



2. Inlet Hose Installation

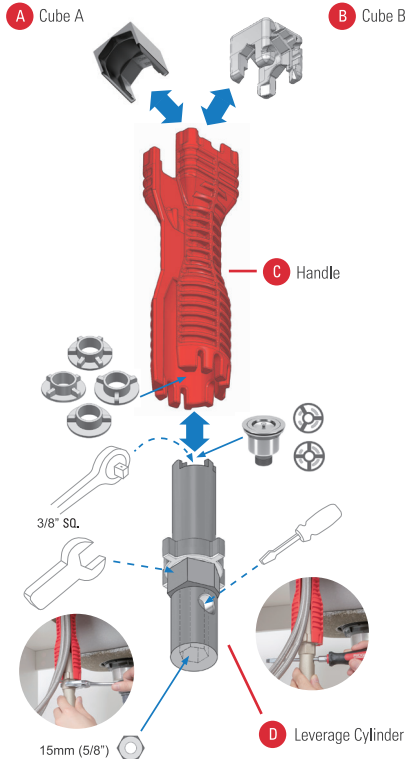
Connection between Inlet Hose and Valve
Hex Nut



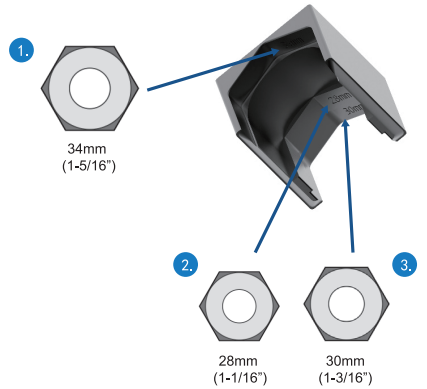
[Product Features]

- Innovative three-module design, easy to install faucet and inlet hose
- One tool covers common faucet and hose nut sizes, no need to carry other tools
- Vertical operation, design for tight space under the sink
- Slotted design, easy to insert installed hoses
- Ergonomic handle, comfortable grip, non-slipping with sweat
- Leverage cylinder operated with a screwdriver/wrench, labor-saving, repair dedicated, easy to disassemble rusty faucets and hoses

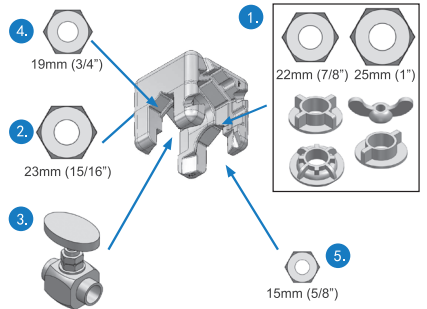
[Product Specifications]



Cube A: (The following is the flat-to-flat length of the hexagonal size)



Cube B:



Contact

Emerson Professional Tools (Shanghai) Co., Ltd.
Address: No. 89 Jiangtaian East Road, Songjiang Industrial Park, Shanghai, China
Customer Service: 400-820-5695



Follow us on WeChat, to get the following services:

- Watch product videos
- View product information
- Check official purchase channels
- Contact after-sales service

